


Job Name		Engineer / Architect	
Job Location		Wholesaler	
Submittal Date		Contractor	

## CS401DL /CS501DL Copper Toilet Supply Kit –Multi-Turn Sweat Angle Stop w/ 5” Extension

**Use:** For use with water in accessible locations only. Not intended for recirculating water systems that produce continuous use temperatures above 115° F. For those applications, use our KT™ series ball stop supply kits.

**Design Features:**

- **Everything you need.** These kits combine our trusted BrassCraft® supply stop, copper riser, sweat extension, and escutcheon for an easy-to-install connection
-  **No Lead**

**Copper riser provides:**

- **One-piece** construction
- **Cut-to-length** for clean, professional installation

**Multi-Turn stop provides:**

- **Machined one-piece brass body** provides strength, durability, and long-lasting performance
- **Easy-to-remove handle** with screw attachment helps protect against accidental stop operation during rough-ins
- **Oval knurled handle** provides a secure grip and smooth on/off operation

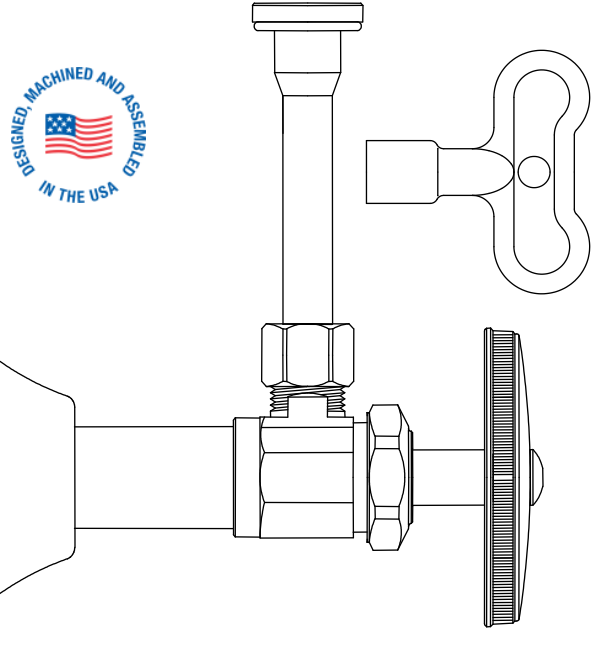
**Operating Specifications:**

**Temperature:** 40°- 140° F

**Pressure:** 125 PSI maximum

**Tubing Diameter:** 3/8” OD

**Standard**



CONNECTOR MATERIAL SPECIFICATIONS	
<b>Tube</b>	Copper per ASTM B-68
<b>Nosepiece</b>	POM

<b>Escutcheon</b>	Steel, chrome plated
-------------------	----------------------

<b>Loose Key</b>	Zinc die cast
<b>Loose Key Adaptor</b>	Brass or brass, plated
<b>Lock Shield</b>	Brass or brass, plated

STOP MATERIAL SPECIFICATIONS	
<b>Body</b>	Brass or brass, chrome plated
<b>Stem</b>	Brass or brass, chrome plated
<b>Handle</b>	Zinc die cast, plated
<b>Handle Screw</b>	Steel, zinc plated
<b>Bib &amp; Packing Washer</b>	Rubber
<b>Packing Nut</b>	Brass or brass, chrome plated
<b>Compression Sleeve</b>	Brass
<b>Compression Nut</b>	Brass or brass, chrome plated
<b>Sweat Extension</b>	Copper, chrome plated

*This specification and all information contained herein is the confidential and exclusive property of BrassCraft Manufacturing, and shall not be disclosed to others without the written consent of BrassCraft Mfg. This specification must be returned to BrassCraft Mfg if requested.*



# CS401DL /CS501DL Copper Toilet Supply Kit –Multi-Turn Sweat Angle Stop w/ 5” Extension

**Compliant**

CONNECTOR MATERIAL SPECIFICATIONS	
<b>Tube</b>	Copper per ASTM B-68
<b>Nosepiece</b>	POM

<b>Escutcheon</b>	Steel, chrome plated
-------------------	----------------------

<b>Loose Key</b>	Zinc die cast
<b>Loose Key Adaptor</b>	Brass or brass, plated
<b>Lock Shield</b>	Brass or brass, plated

STOP MATERIAL SPECIFICATIONS	
<b>Body</b>	Compliant brass or compliant brass, chrome plated
<b>Stem</b>	Compliant brass or compliant brass, chrome plated
<b>Handle</b>	Zinc die cast, plated
<b>Handle Screw</b>	Steel, zinc plated
<b>Bib &amp; Packing Washer</b>	Rubber
<b>Packing Nut</b>	Brass or brass, chrome plated
<b>Compression Sleeve</b>	Brass
<b>Compression Nut</b>	Brass or brass, chrome plated
<b>Sweat Extension</b>	Copper, chrome plated

**Standard Part Listing:**

- CS401DL C      1/2" nom sweat with extension x 3/8" OD compression stop with 3/8" OD tube x 11-1/2" length riser & bell escutcheon, chrome plated
- CS501DL C      1/2" nom sweat with extension x 1/2" OD compression stop with 1/2" OD tube x 11-1/2" length riser & bell escutcheon, chrome plated
- SCS401DL C      1/2" nom sweat with extension x 3/8" OD compression stop with 3/8" OD tube x 11-1/2" length riser & bell escutcheon, chrome plated, loose key

**Compliant Part Listing:**

- CS401DLX C      1/2" nom sweat with extension x 3/8" OD compression stop with 3/8" OD tube x 11-1/2" length riser & bell escutcheon, chrome plated
- SCS401DLX C      1/2" nom sweat with extension x 3/8" OD compression stop with 3/8" OD tube x 11-1/2" length riser & bell escutcheon, chrome plated, loose key

*This specification and all information contained herein is the confidential and exclusive property of BrassCraft Manufacturing, and shall not be disclosed to others without the written consent of BrassCraft Mfg. This specification must be returned to BrassCraft Mfg if requested.*

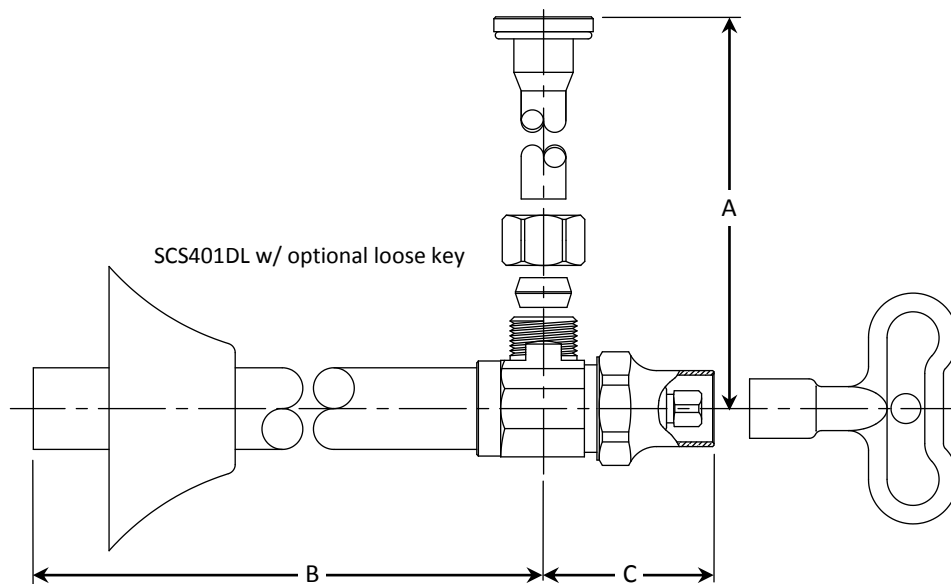
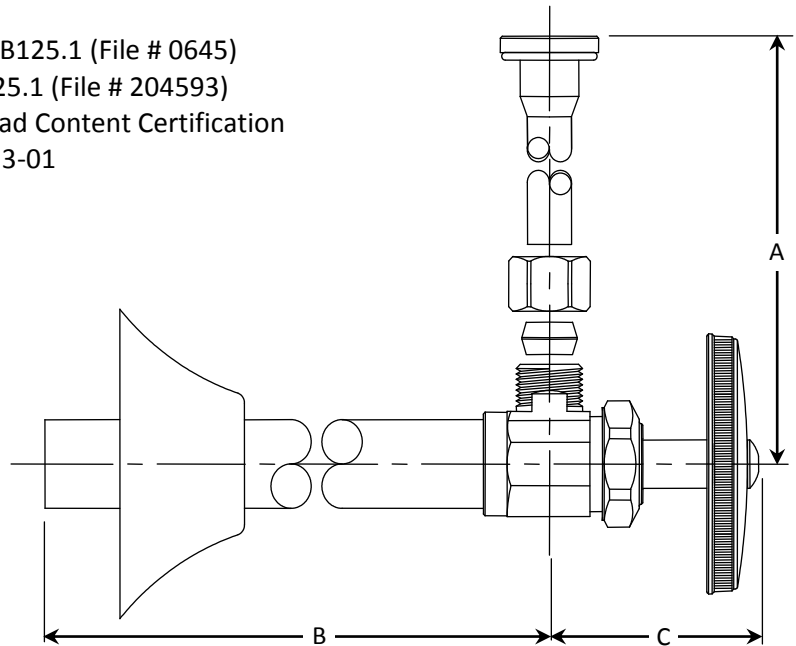


# CS401DL /CS501DL Copper Toilet Supply Kit –Multi-Turn Sweat Angle Stop w/ 5” Extension

PART DIMENSIONS (Inches)			
Model	DIM A	DIM B	DIM C
CS401DL	11.85	5.46	1.70
CS501DL	11.85	5.46	1.70
SCS401DL	11.85	5.46	1.46

**Listings & Certifications:**

- IAPMO listed to ASME A112.18.1 / CSA B125.1 (File # 0645)
- CSA listed to ASME A112.18.1 / CSA B125.1 (File # 204593)
- Compliant product CSA listed to Low Lead Content Certification Program – Plumbing Products Class 6853-01



*This specification and all information contained herein is the confidential and exclusive property of BrassCraft Manufacturing, and shall not be disclosed to others without the written consent of BrassCraft Mfg. This specification must be returned to BrassCraft Mfg if requested.*

